

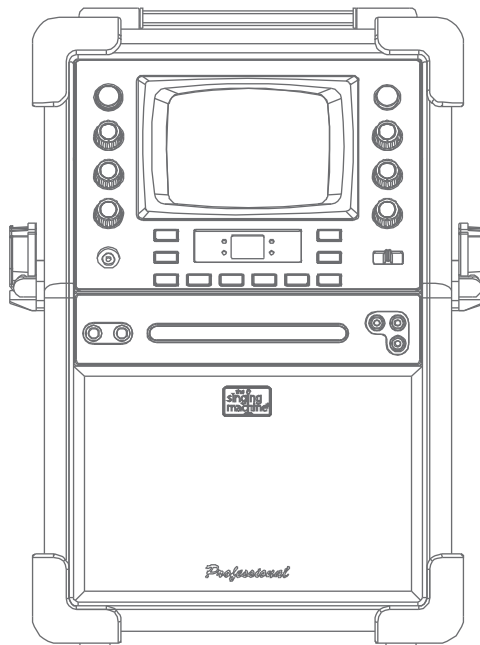


Instruction Manual

SMG-901

Professional Karaoke System

Please read before using this unit.



The Singing Machine® is a registered trademark of The Singing Machine Co., Inc.

WARNINGS

WARNING: TO REDUCE THE RISK OF FIRE OR SHOCK HAZARD, DO NOT EXPOSE THIS PRODUCT TO RAIN OR MOISTURE.



CAUTION: TO PREVENT THE RISK OF ELECTRIC SHOCK, DO NOT REMOVE COVER OR BACK. NO USER-SERVICEABLE PARTS INSIDE. REFER SERVICING TO QUALIFIED PERSONNEL.

The CAUTION marking is located on the rear panel.



This symbol is intended to alert you to the presence of uninsulated dangerous voltage within the product's enclosure that might be of sufficient magnitude to constitute a risk of electric shock. Do not open the product's case.



This symbol is intended to inform you that important operating and maintenance instructions are included in the literature accompanying this product.

DRIPPING WARNING

The product shall not be exposed to dripping or splashing and that no objects filled with liquids, such as vases, shall be placed on the product.

VENTILATION WARNING

The normal ventilation of the product shall not be impeded for intended use.

Main plug is used as disconnect device and it should remain readily operable during intended use. In order to disconnect the apparatus from the mains completely, the main plug should be disconnected from the main socket outlet completely.

SAFETY CERTIFICATION

This device is made and tested to meet safety standards of the FCC, requirements and compliance with safety performance of the U.S. Department of Health and Human Services, and also with FDA Radiation Performance Standards 21 CFR Subchapter J.

Warnings:

- This CD player employs a laser light beam. Only a qualified service person should remove the cover or attempt to service this device, due to possible eye injury.
- The use of controls, adjustments, or procedures other than those specified herein might result in hazardous radiation exposure.
- The apparatus shall be used in an open area.

CAUTION

This compact disc player is classified as a CLASS 1 LASER product.

The CLASS 1 LASER PRODUCT label is located on the rear panel.



CAUTION!

Invisible laser radiation when open and inter locks defeated. Avoid exposure to beam.

Warning: Changes or modifications to this unit not expressly approved by the party responsible for compliance could void the user's authority to operate the equipment.

FCC IMPORTANT

Since CD circuitry may cause interference to other radio tuners nearby, switch this unit off when not in use or move it away from the affected radio tuner.

This device complies with part 15 of the FCC rules, operation is subject to the following two conditions: (1) this device may not cause harmful interference, and (2) this device must accept any interference received, including interference that may cause undesired operation.

This class[B] digital apparatus complies with Canadian ICES-003.

WARNINGS

NOTE: This digital apparatus does not exceed the Class B limits for radio noise emissions from digital apparatus as set out in the Radio Interference Regulations of Industry Canada. These limits are designed to provide reasonable protection against harmful interference in a residential installation. This equipment generates, uses and can radiate radio frequency energy and, if not installed and used in accordance with the instructions, may cause harmful interference to radio communications. However, there is no guarantee that interference will not occur in a particular installation. If this equipment does cause harmful interference to radio or television (which can be determined by turning the equipment off), the user is encouraged to try to correct the interference by one or more of the following measures:

- Reorient or relocate the receiving antenna.
- Increase the separation between the equipment and receiver.
- Connect the equipment into an outlet on a circuit different from that to which the receiver is connected.
- Consult the dealer or an experienced radio / TV technician for help.

IMPORTANT SAFETY INSTRUCTIONS

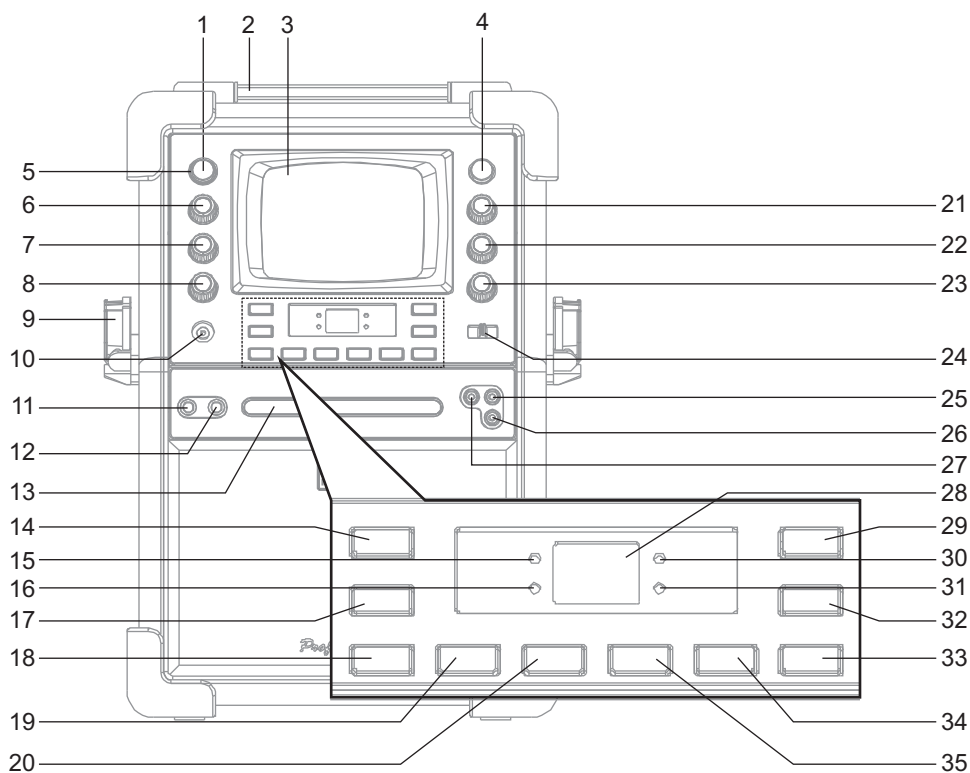
1. **Read these instructions.**
2. **Keep these instructions.**
3. **Heed all warning.**
4. **Follow all instructions.**
5. **Do not use this apparatus near water.**
6. **Clean only with a dry cloth.**
7. **Do not block any of the ventilation openings.**
Install in accordance with manufacturer's instructions.
8. **Do not install near any heat source such as radiators, heat registers, stoves, or other apparatus (including amplifiers) that produce heat.**
9. **Do not defeat the safety purpose of the polarized or grounding-type plug.** A polarized plug has two blades with one wider than the other. A grounding type plug has two blades and a third grounding prong. The wide blade or the third prong are provided for your safety. If the provided plug does not fit into your outlet, consult an electrician for replacement of the obsolete outlet.

AC
Polarized Plug
10. **Protect the power cord from being walked on or pinched, particularly at plugs, convenience receptacles, and the point where they exit from the apparatus.**
11. **Only use attachments/accessories specified by the manufacturer.**
12. **Use only with a cart, stand, tripod, bracket, or table specified by the manufacturer, or sold with the apparatus.** When a cart is used, use caution when moving the cart/apparatus combination to avoid injury from tip-over.
13. **Unplug this apparatus during lightning storms or when unused for long periods of time.**
14. **Refer all servicing to qualified service personnel.** Servicing is required when the apparatus has been damaged in any way, such as if the power-supply cord or plug is damaged, liquid has been spilled or objects have fallen into the apparatus, or when the apparatus has been exposed to rain or moisture, does not operate normally, or has been dropped.

Class II equipment symbol 

This symbol indicates that the unit has a double insulation system.

CONTROL LOCATIONS

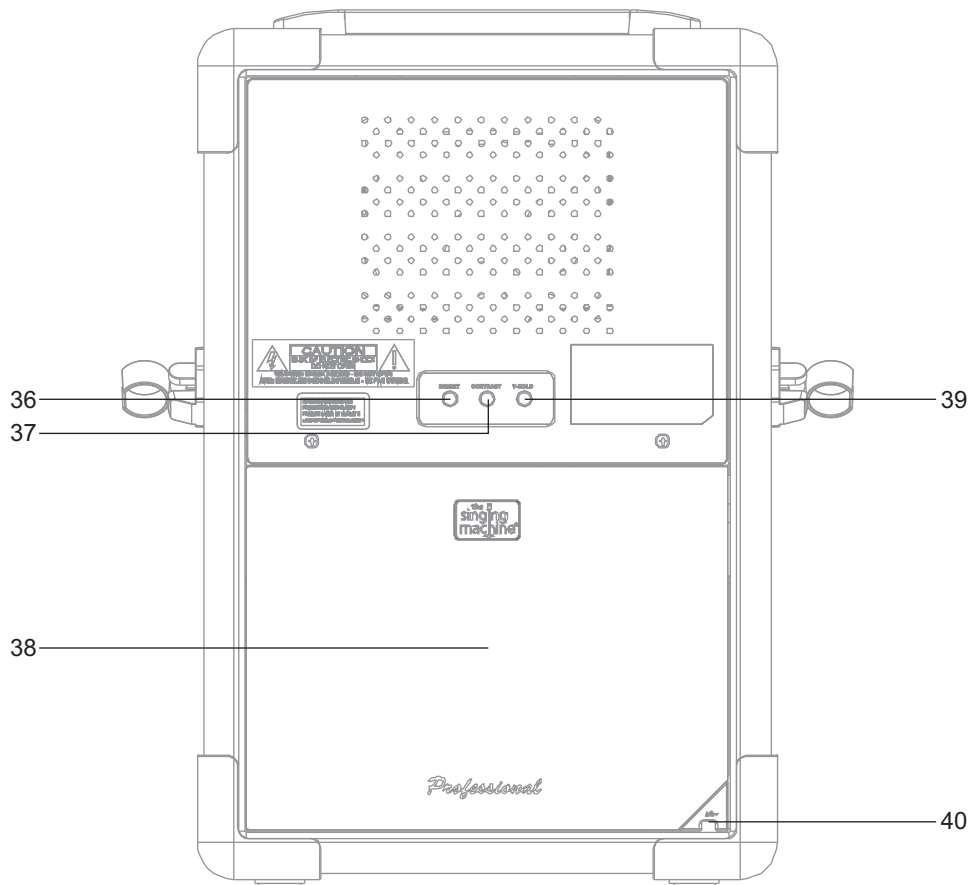


FRONT VIEW

- | | |
|--------------------------|-----------------------------------|
| 1. ON/OFF Button | 19. KEY button |
| 2. Handle | 20. ECHO button |
| 3. Monitor | 21. MASTER VOLUME Control |
| 4. MONITOR ON/OFF Button | 22. BALANCE Control |
| 5. ON/OFF LED | 23. EXTERNAL INPUT Volume Control |
| 6. MIC 1 Volume Control | 24. FUNCTION SELECTOR |
| 7. MIC 2 Volume Control | 25. AUX OUT Jack (R) |
| 8. Auto Voice Control | 26. VIDEO OUT Jack |
| 9. MIC holder | 27. AUX OUT Jack (L) |
| 10. EXTERNAL INPUT Jack | 28. LED Display |
| 11. MIC 1 Jack | 29. PLAY/PAUSE Button |
| 12. MIC 2 Jack | 30. PLAY/PAUSE LED |
| 13. CD Door | 31. CDG LED |
| 14. PROGRAM Button | 32. STOP Button |
| 15. PROGRAM LED | 33. OPEN/CLOSE Button |
| 16. REPEAT LED | 34. SKIP ►► (KEY/ECHO) + button |
| 17. REPEAT Button | 35. SKIP ◄◄ (KEY/ECHO) - button |
| 18. RANDOM Button | |

CONTROL LOCATIONS

ENGLISH



REAR VIEW

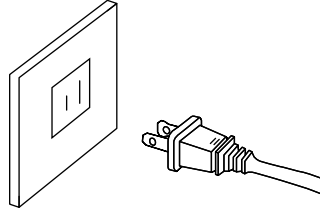
- 36. BRIGHTNESS Control
- 37. CONTRAST Control
- 38. Loudspeaker
- 39. VERTICAL HOLD Control
- 40. AC Power Cord

MAKING THE CONNECTIONS

CONNECTING POWER

You can power the system from a standard AC outlet by using the supplied power cord.

CAUTION: The supplied AC power cord has a polarized plug that fits into the wall outlet only one way. If the plug does not fit properly, turn it over and try again. Do not force it.



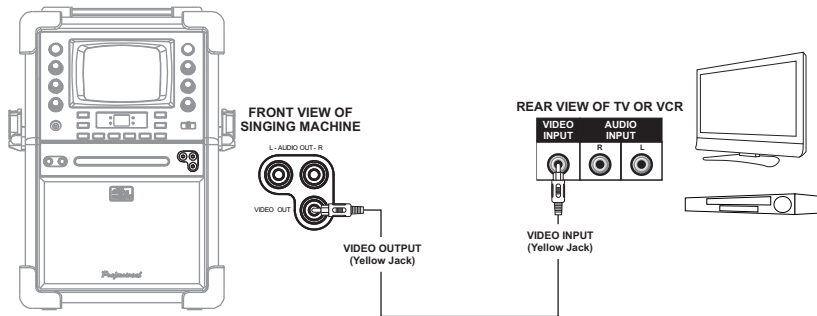
CONNECTING TO YOUR TV OR VCR/DVD PLAYER

Your Singing Machine is designed to connect to your TV the same way you would connect most video cameras, VCR/DVD players or video game consoles.

We have provided RCA cables to connect your unit to a TV, VCR/DVD player, video device or an external audio/sound system. The RCA cables have three connections at each end (white and red are for left and right audio connections and the yellow is for video connection).

Please follow the steps below to display CD+G lyrics on the TV screen:

- (1) Locate the multi-colored RCA cables
- (2) Connect video cable (yellow) to the video out of the front of the Singing Machine
- (3) Connect the other end of the video cable (yellow) to the video input on your TV or VCR/DVD Player



MAKING THE CONNECTIONS

SELECTING YOUR SINGING MACHINE AS YOUR SOURCE/INPUT

Selecting your Singing Machine as a source/input on your TV is very similar to connecting a VCR/DVD or Satellite system.

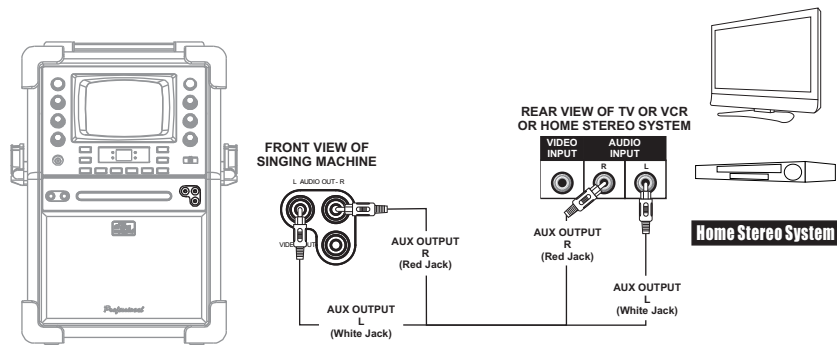
We've listed below the most common ways of selecting the source from your TV or VCR/DVD Player:

- (1) In the set up menu of the TV or VCR/DVD player there may be an option for "Input Select" where you can choose between "Cable/Ant., Video 1, Video 2, etc." as the input source.
- (2) Look for a TV channel between the highest and lowest on your TV or VCR/DVD player (i.e. AUX, EXT, LINE 1 or LINE IN)
- (3) Your remote control for either your TV or VCR/DVD player may have source input selections as well as detailed below:
"VIDEO, VIDEO 1, GAME, AUX, EXT or LINE-IN." Choosing one of those in most cases should display the lyrics from your Singing Machine as well.

AUDIO CONNECTION

Please follow the steps below to connect the unit to your TV or VCR or home stereo system:

- (1) Locate the multicolored patch cords.
- (2) Connect audio cables (White and Red) to the Audio Out (White-Left and Red-Right) of the front of the Singing Machine.
- (3) Connect the other end of the audio cables to the audio/auxiliary input on your TV or VCR or home stereo system.



CD OR CD+G OPERATION

This unit is designed to play CDs and CD+Gs bearing the identification logo respectively. If the disc does not conform to the standard, it may not play properly.



TURNING POWER ON/OFF

- To turn on the unit, press the ON/OFF button, the ON/OFF LED Indicator will light up.
- To turn it off, press the ON/OFF button again, the ON/OFF LED Indicator will turn off.

FUNCTION SELECT

Set the FUNCTION SELECTOR switch to CDG.

LOADING A DISC

- Press the OPEN/CLOSE button to open the CD door, place a CD or CD+G disc in the compartment with the printed side facing upward and the shiny side facing down.
- Press the OPEN/CLOSE button again to close the CD door. The LED window will display the total number of tracks. (If no disc is loaded, it will display "no". If a CDG is loaded, the CDG indicator will light up.)

Note: - Never place anything except a compact disc in the disc tray. Foreign objects can damage the unit.
- Only place one disc on the disc tray at a time.

(Refer to the Trouble Shooting Guide "If a disc is loaded but the total tracks do not appear".)

PLAY/PAUSE

- Adjust MASTER VOLUME control on your unit, TV or audio system to a comfortable level.
- To start playing, press the PLAY/PAUSE button. The first track [0 1] and the PLAY/PAUSE LED will be lit.
- To temporarily stop playing, press the PLAY/PAUSE button. The PLAY/PAUSE LED Indicator will flash.
- To resume play, press this button again.

Note: - Pressing pause repeatedly when a CD+G is playing may cause distorted lyrics on your TV screen. Any distortion will remain on the TV screen until it is refreshed either during an instrumental break or the song is stopped and/or the song is started from the beginning.

STOP

If the STOP button is pressed in the course of playing, the disc will cease to play. (The total number of tracks will be shown on the LED window.)

MASTER VOLUME

Rotate to the MASTER VOLUME control to obtain the desired sound level.

Note: The MIC Volume must be adjusted simultaneously with the master volume level.

SKIP (For both CD and CDG discs)

- During STOP mode, you can skip forward or back to your desired track number by pressing the SKIP buttons (◀◀ - SKIP - ▶▶).
- To resume playing the selected song, press PLAY/PAUSE button.

SEARCH (For audio CD disc only)

When playing any audio CD, press and hold the SKIP button (◀◀-SKIP-▶▶). The CD will search at high speed in the forward or backward direction. Normal play will continue when you release the button.

CD OR CD+G OPERATION

REPEAT

- To repeat the track currently playing, press the REPEAT button once. The REPEAT LED will start to flash.
- To repeat all tracks, press the REPEAT button twice. The REPEAT LED will light up and stay lit. Press the PLAY/PAUSE button to begin.
- To clear the REPEAT function, press the REPEAT button again. The REPEAT LED will turn off.

PROGRAM

- Use this button to program and play back songs in a preselected order.
Step 1: Programming should be done in the stop mode only. Press the PROGRAM button until the PROGRAM LED flashes, the track will read [0].
Step 2: Press the SKIP buttons (◀◀ - SKIP - ▶▶) to select a desired track.
Step 3: Press PROGRAM button to confirm entry. You can repeat the same steps up to a maximum of 20 tracks.
Step 4: Press PLAY button when you have completed programming and you are ready to start singing.
- Press the STOP button to clear all the programmed entries.

RANDOM

- Press the RANDOM button to activate the random play function. Press play to start the random play.
- Press the STOP button to clear the random function.

MONITOR ON/OFF

- Press MONITOR ON/OFF button to ON if you want to display a CDG lyrics on the Singing Machine's monitor.
- Adjust the BRIGHTNESS, CONTRAST and VERTICAL HOLD controls at the back of the Singing Machine to have the best picture performance.

EXTERNAL INPUT OPERATION

Your Singing Machine is designed to connect your favorite Digital Music device (e.g. iPod/MP3 player, etc.) and Professional musical instruments (e.g. Electrical Guitar or Electronic Keyboard).

You can connect your device by using an appropriate cable (not included). We have also provided a Jack Adaptor (Ø6.3mm to Ø3.5mm) if your device is connecting by Ø6.3mm plug.

FUNCTION SELECT

Set the FUNCTION SELECTOR switch to EXTERNAL INPUT.

EXTERNAL INPUT VOLUME

Rotate the EXTERNAL INPUT Volume control to a certain level (one third of the full range) in order to make sure there is adequate volume input to amplify.

- * **Warning - To avoid the over-burst amplified volume output or possible over-tuned sound crack, you are recommended to adjust the external input volume control to one third or lower at the beginning.**

MASTER VOLUME

Rotate to the MASTER VOLUME control to obtain the desired sound level.

KARAOKE FUNCTIONS

Karaoke functions can be performed on both function modes. Sing a long with the music by plugging in the provided microphone into either one of the microphone jacks on the unit.

* **Warning - Tapping or dropping the microphone while it is on can permanently damage your microphone. Resist the urge to swing the microphone around by the cord!**

MIC VOLUME

Adjust the MIC VOLUME control to a desired level and obtain the best performance. (MIC 1 and MIC 2 volume can be adjusted separately.)

* **Warning - To avoid Microphone feedback please avoid being too close to the speaker.**

ECHO

Press the ECHO button once and press SKIP (KEY/ECHO) (- / +) buttons to adjust the ECHO effect (Level: 0 to 8) so as to enhance your voice for a concert hall effect.

KEY CONTROL

Press the KEY button once and press SKIP (KEY/ECHO) (- / +) buttons to adjust the KEY control (Level: -4 to 4) so as to obtain the best voice to your favorite songs.

BALANCE

Adjust the BALANCE control between the prerecorded singer's voice and the music when using a multiplex karaoke disc. (Please see Glossary of term to learn more about multiplex on our website.)

AUTO VOICE CONTROL

AUTO VOICE CONTROL can be activated by rotating the Auto Voice Control. The vocals on the multiplex recording will be muted when the singer starts to sing through the microphone. When the singer stops to sing, the vocals will resume to normal.

TROUBLE SHOOTING GUIDE

If you have followed the instructions and are having difficulty operating the unit, locate the PROBLEM in the left column below. Check the corresponding POSSIBLE CAUSE column to locate and remedy the problem.

PROBLEM	POSSIBLE CAUSE	SOLUTION
No power when ON/OFF button is on.	No power plug connection at the AC outlet.	Insert the power plug into the AC outlet.
No power when plugged in.	The AC outlet may not have power.	Check the outlet with a working lamp or other electrical appliance.
	AC plug is not secure on the back of the unit.	Securely plug cord into the back of the unit.
No sound.	Volume control is set to minimum.	Turn up the volume.
	Volume control on TV set/PA system is set to minimum.	Turn up the volume at TV/PA system.
	TV set/PA system power is OFF.	Turn on the power at TV/PA system.
	AUX OUT jacks not connected.	Follow directions 'Audio Connection' page.
CD PLAYER does not work normally or the LED displays "--", "E", or "RD".	Disc is inserted upside down.	Insert disc correctly.
	Disc is dirty.	Wipe clean with soft cloth.
	Disc is scratched.	Use a new disc.
	Disc is warped.	Use a new disc.
	A nonstandard disc is inserted.	Only use discs bearing standard logo.
	Lens is dirty.	Use a CD lens cleaner.
	Moisture has formed inside the CD deck.	Wait about 20 to 30 minutes to let it dry out.
	Singing Machine needs to be reset.	Disconnect the machine from power source for 30 seconds.

TROUBLE SHOOTING GUIDE

PROBLEM	POSSIBLE CAUSE	SOLUTION
No sound - If audio is going through TV, VCR or home stereo.	Source Selection on your TV, VCR or home stereo is not set properly.	Select AUX IN as the source for your TV, VCR or home stereo.
	Improper Connection to stereo system or PA.	Follow direction on 'Audio Connection' page for connecting to a home stereo system.
No song lyrics appear on the TV screen.	Video cable is not connected properly to the TV.	Connect the video cable to the Singing Machine's VIDEO OUT and to the TV VIDEO IN.
	Source selector on TV is not set to VIDEO.	Using your TV Remote to select VIDEO input.
	TV does not have video line input.	Connect from VIDEO OUT of the system to the VIDEO IN on your VCR or Connect to an RF Modulator and then to the TV cable input. Check the disc to be sure it is a CDG.
	A CDG is loaded but the CDG indicator is not lit.	Check disc to be sure it is clean.
No sound from mic.	Mic volume control.	Adjust mic volume to max, and then re-adjust to a comfortable level.
	Mic is off.	Turn on mic with the ON/OFF switch located on the microphone.
While playing a CDG and singing with the microphone, the music or vocals cuts out.	AVC is activated to Maximum.	Adjust AVC to Minimum.
	Playing music only track.	Play track that includes music and vocal.
Picture is jumping up and down.	VERTICAL HOLD Control is not set correctly.	Adjust the VERTICAL HOLD Control.

SPECIFICATIONS

AUDIO SECTION: OUTPUT POWER (MAXIMUM) OUTPUT IMPEDANCE	5 WATTS (RMS) 4 OHMS
CD PLAYER SECTION: FREQUENCY RESPONSE SIGNAL - TO - NOISE RATIO NUMBER OF PROGRAMS SAMPLING SYSTEM	100 Hz - 20 kHz 50 dB 20 STEPS RANDOM ACCESS PROGRAMMING 8 TIMES OVER SAMPLING
MONITOR SECTION	5.5" BLACK AND WHITE MONITOR NTSC SYSTEM 220 LINE RESOLUTION
MICROPHONE	-74dB 600 OHMS IMPEDANCE WITH Ø 6.3mm DYNAMIC MICROPHONE
POWER SECTION	AC 110V-120V~60Hz
DIMENSIONS (W x D x H)	10.8 x 9.6 x 16.0 inches / 27.5 x 24.5 x 40.6 cm
WEIGHT	14.5 lbs / 6.6 kgs

Specifications are typical, individual units might vary. They are subject to continuous improvement without notice and without incurring any obligation.

THE SINGING MACHINE KARAOKE GLOSSARY OF TERMS

In addition to all of the terminology associated with consumer electronics products, a few additional terms are used almost exclusively in karaoke. These terms are meant to familiarize you with the world of Karaoke. The features listed below **may not** necessarily pertain to the particular model Singing Machine that you have. The following are some brief explanations of karaoke terms:

Echo:

Echo adds depth and resonance to a singer's voice without affecting the music. This echo is produced by creating minor controlled feedback in the singer's voice.

Multiplex:

Our multiplex recordings contain 2 copies of the same song. One version is a stereo recording of the song without the lead singer. The second version is recorded with the music and background vocals on the left channel and the lead singer recorded on the right channel. This 'split track' recording allows you to control the volume of the lead singer by adjusting the balance control. You can sing a duet with the lead singer or use the lead singer as a guide as you learn the song, gradually fading them out with the balance control until you are able to sing the song on your own.

Auto Voice Control (A.V.C.):

When the AVC function is activated, the vocals on a multiplex recording are eliminated as soon as the singer begins singing into the microphone. When the singer stops singing, the vocals on the multiplex recording are automatically re-activated. This useful function is used primarily during practice sessions while a singer is learning a song. Please note that the AVC function only works with multiplex recording and not with standard audio recordings.

Pitch Control:

This function controls pitch of music by controlling the speed at which a cassette tape plays back. By increasing the speed of the tape, the music sounds higher (sharp). By slowing the tape speed, the music sounds lower (flat).

Key Controller:

Key Controller changes the key of the CD/CDG music (+ or - steps) to adjust to the singer's voice.

CDG:

This is an acronym for Compact Disc plus Graphics. You will also see variations CD+G, and CD+Graphics. This is a regular audio CD with information stored on a data track simultaneous to music. In laymen's terms, CDG has a video output for simple graphics (not full motion video). In the case of karaoke, the graphics function is used to store song lyrics, and display the lyrics in synch with music. In most cases, CDG software displays lyrics which change color as they are to be sung. A regular television is all that is required to display CDG lyrics.

NOTE - CDG is a particular type of compact disc encoding system that is different from VCD or DVD. Your Singing Machine can decode standard audio compact discs and CDG discs. It will not read VCD or DVD encoded discs.

Standard audio discs and cassette tapes will not display lyrics on your TV. Audio CDs do not contain the software necessary to display lyrics.



The Singing Machine Company, Inc. d/b/a
SMC GLOBAL INC.

901-0907-ENG01

6601 Lyons Road, Bldg. Suite A7, Coconut Creek, FL33073-9902, USA.
TEL: (954) 596-1000 FAX: (954) 596-2000

PRINTED IN CHINA

VISIT OUR WEBSITE www.singingmachine.com